



• ED8038 Series.

DC Brushless fan.

Size: 80 x 80 x 38 mm

3.15 x 1.5 Inches.

Airflow: Max.132CFM /3.7 m3/min

Plastic Impeller / Plastic Frame.

Model No.	Rated Voltage VDC	Voltage Range VDC	Input Power Watt	Rated Current Amp	Ref Speed RPM	Max. Airflow CFM	m3/min	Max. Static Pressure Inch/H2O	mm/H2O	Noise Level dB (A)	PQ Curves
ED8038-12SHH**	12	7~13.2	42	3.5	9000	132	3.7	2	50.8	66	1
ED8038-12SH**	12	7~13.2	24	2	7500	107	3	1.36	34.54	62	2
ED8038-12HHH**	12	7~13.2	15	1.25	6500	91	2.6	1.0	25.4	59	3
ED8038-12HH**	12	7~13.2	10.8	0.9	5800	82	2.3	0.78	19.81	52	4
ED8038-12H**	12	7~13.2	7.2	0.6	5000	71	2	0.58	14.73	49	5
ED8038-12M**	12	7~13.2	4.8	0.4	4200	60	1.7	0.41	10.41	45	6
ED8038-12L**	12	7~13.2	3.6	0.3	3500	50	1.4	0.28	7.11	41	7
ED8038-24SHH**	24	14~26.4	45.6	1.9	9000	132	3.7	2	50.8	66	1
ED8038-24SH**	24	14~26.4	21.6	0.9	7500	107	3	1.36	34.54	62	2
ED8038-24HHH**	24	14~26.4	14.4	0.6	6500	93	2.6	1.0	25.4	59	3
ED8038-24HH**	24	14~26.4	10.8	0.45	5800	82	2.3	0.78	19.81	52	4
ED8038-24H**	24	14~26.4	7.2	0.3	5000	71	2	0.58	14.73	49	5
ED8038-24M**	24	14~26.4	6.0	0.25	4200	60	1.7	0.41	10.41	45	6
ED8038-24L**	24	14~26.4	4.8	0.2	3500	50	1.4	0.28	7.11	41	7
ED8038-48SHH**	48	28~56	43.2	0.9	9000	32	3.7	0.2	50.8	66	1

** = "BL" for wire lead type Ball bearing Type.

•We reserve the right to change data and improve electrical & mechanical design without notice. data tolerance +10%

Motor

Motor Type: Brushless DC Motor, auto cutoff, auto restart
 Burnout Protection: Electronically protected, polarity protected
 IP Protection: Ratings on request

Mechanical

Frame: Glass fiber reinforced thermoplastic, rated UL94V-0
 Impeller: 9 blades, glass fiber reinforced plastic, rated UL94V-0
 Bearing: Two ball bearings
 Rotation: CCW seen on rotor
 Connection: Wire lead
 Weight: 210 g (0.462 Lbs)

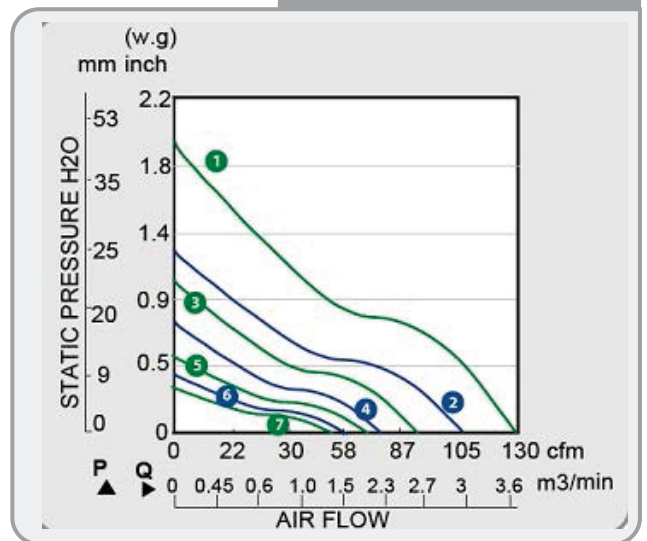
Electrical

Dielectric Strength: 500 VAC/min. Max leakage 500mA
 Speed Control: Optional:PWM, S/C NTC thermister on request
 Signal Output: Optional:R/D alarm output, tachometer output F/G

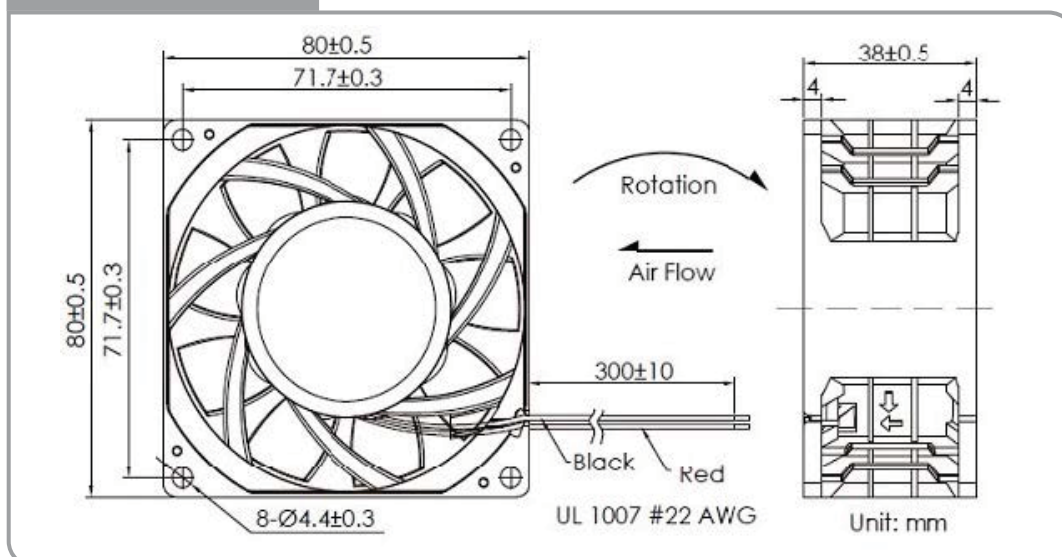
Environment

Operating Temp: Ambient non-condensing -15°C~+65°C
 Storage Temp: -25°C~+80°C (at 65%RH)
 Life Expectancy: L10 60K hours at 45°C, 45K hours at 65°C

► Performance P-Q Curves.



► Outline Dimensions.



Fan Accessories

